

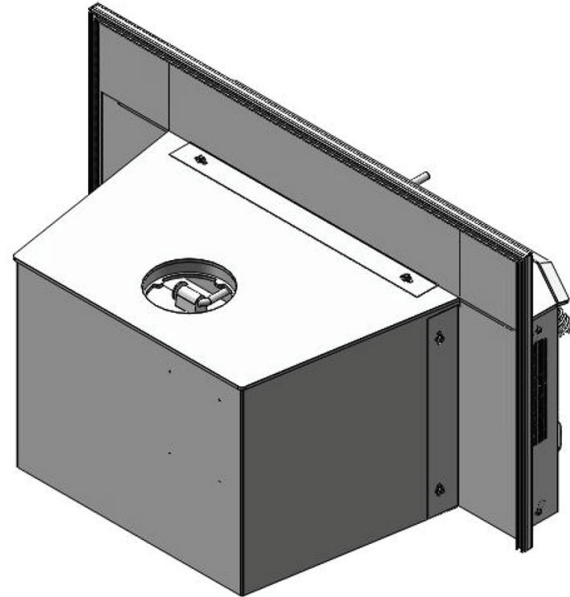
Installation Instruction for a O2 Shroud

Part #O2-9210

For Models O2 Inserts units

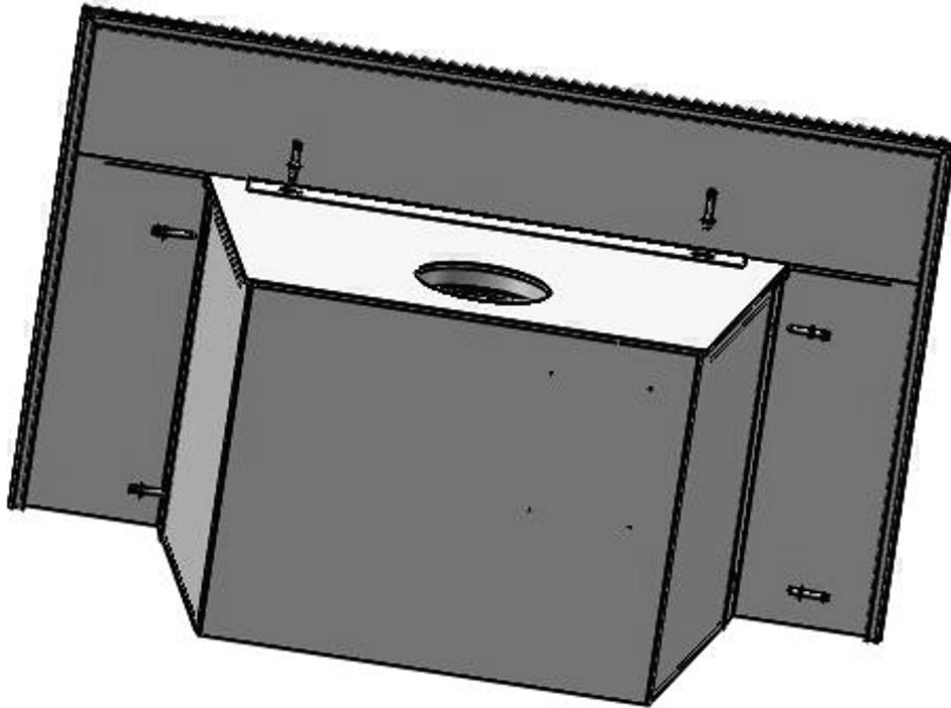
- Remove from box and verify all parts prior to installation.
 - (3) metal trim panels
 - (3) pieces of trim (black or gold)
 - (2) PP-1271 angle corners bracket
 - (6) PP-160 #14 TEK screws
 - (6) PP-177 flat washers
 - (1) PP-220 roll of insulation

Shown without trim



- Push your Country Flame insert all the way back into the fireplace where it will be when fully installed. Double-check the location by measuring from both sides of the front of the insert to the edge of the hearth. These measurements must be the same in order to properly align the unit. The insert flue opening must be behind the lintel.
- After you have properly aligned the insert in the fireplace, you are ready to mark the trim panels for mounting. Pressing both right and left trim panels directly against the face of the fireplace. The trim panels are now in place as they will be when mounting is complete. While holding the trim panel in place, mark where the front edge of the panel fits up against the unit with a pencil. Do this to each side panel leaving the top trim panel for last because it will mount directly behind the 2 side panels.
- Pull the unit approximately 18"-20" back from the fireplace for mounting the trim panels. In this step you will align the front edge of the trim with the mark you had just made, and then mark the slots with a pencil. By marking the exact center of the slot you will have a slight adjustment up or down, depending upon the evenness of your fireplace.
- Place trim side panels along the line previously marked and insert your self-tapping screws and washers with a 3/8" adaptor and drill or drill 7/32" diameter hole. The tightening of the screws secures the trim panels firmly in place. Now position the trim top panel up tight against the trim side panel and insert the self-tapping screws and washer to secure the trim top panel the unit.
- Remove the backing from the roll of fiberglass insulation included in your trim panel box. Stick the insulation to the backside of the trim panels around the perimeter. This insulation will seal up against the face of the fireplace brick. For stone or irregular surfaces you may have to obtain additional fiberglass to fill the voids from you local building supply store. Very irregular surfaces with large voids may require masonry fill.

- Install the black or brass trim around the outside edge of the panels. Ensure the 2-angle brackets provided are installed on these black or brass trim. If the bottom of the side trim wants to pull away from the trim panels a small amount of silicone may be required on the backside of the trim to hold it in place during installation.



Back of O2 unit